

300-600W AC power Cabinet Air Conditioner

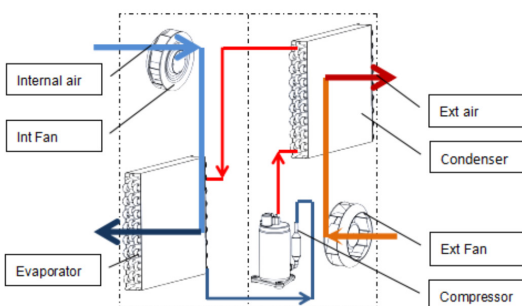
- AC power cabinet air conditioner is actively cooling with its compressor, it removes the heat inside the cabinet. AC power cabinet air conditioner also keeps the dust and heat outside the cabinet, avoiding fan based problems.
- The inside cabinet can be maintained at an ideal temperature for electrical components which effectively guarantee the stability of the electronic equipment and improve the reliability of the whole system.
- Compact Structure, reasonable design, easy maintainance
- High precision of temperature control.



OVERVIEW

Model	AC300W	AC500W	AC600W
Mounting Method	Semi-embedded Mounting	Semi-embedded Mounting	Semi-embedded Mounting
Power Supply	220VAC±15% 50Hz	220VAC±15% 50Hz	220VAC±15% 50Hz
Cooling capacity	300W@L35/35	500W@L35/35	600W@L35/35
Power capacity	170W@L35/35	215W@L35/35	280W@L35/35
Max Noise Level	63dB (A)	63dB (A)	63dB (A)
IP Grade	IP55	IP55	IP55
Net Weight	18kg	20kg	20kg
Refrigerant	R134a	R134a	R134a

THERMAL CYCLE & AIR FLOW



FLEXIBILITY

Cooling capacity ranges from 300w to 600w.
Voltage range: AC220V 50HZ/60HZ, AC110V60HZ

ENVIRONMENT

The cabinet uses environmental cold medium R134A

TECHNICAL PERFORMANCE

Working temperature: -40°C ~ +55°C
Storage temperature: -25°C ~ +55°C
Relative humidity: ≤ 95% (+ 40 °C)
Atmospheric pressure: 70kpa ~ 106kpa

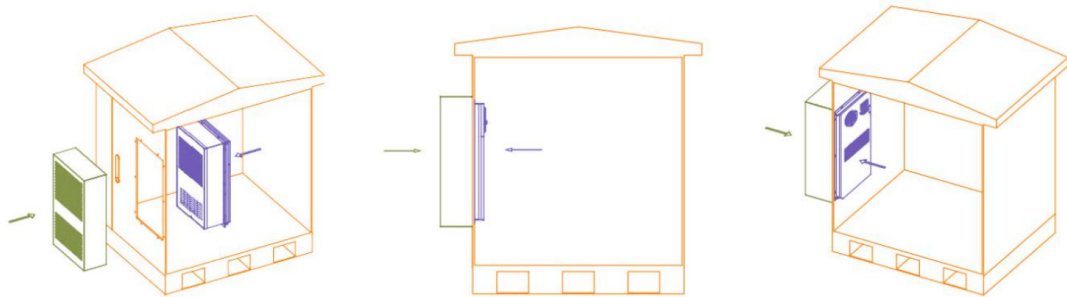
APPLICATIONS

Tele-communication
Wireless/Broadband CATV
Base Station
Solar Based Installations
Wireless cell sites and switches
Transmission Terminals
Datacenters
Transportation

ORDERING

Part No.	Description
149EC30HDNC1J	Predator climate control unit for industrial cabinet 300 WATT (AC)
149EC50HDNC1J	Predator climate control unit for industrial cabinet 500 WATT (AC)
149EC60HDNC1J	Predator climate control unit for industrial cabinet 600 WATT (AC)

INSTALLATION INSTRUCTION



TECHNICAL DRAWINGS

