

CAT 8 Shielded Keystone Jack

The CAT8 shielded keystone jack adopts a tool-free design, which meets or exceeds the current CAT8 transmission standards, supports 40G Ethernet (40GBASE-T) application systems, and meets the performance requirements of CAT8 2000MHz and 30 meters channels and connection. With a wide range of applications, from home networks to data centers.

APPLICATION

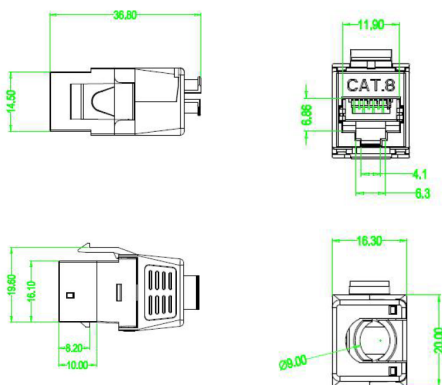
- Horizontal Distribution & Backbone Cabling
- 4/16 Mbps Token Ring (IEEE 802.5)
- 10/100/1000/10G BASE-T (IEEE 802.3)
- 155 Mbps ATM
- 100Mbps TP-PMD
- ISDN, ADSL
- ATM LAN 1.2G
- RoHS Compliant
- Power over Ethernet (PoE) / Type 1-4



STANDARDS

TIA/EIA-568-C.2:2009	FCC Subpart F68.5
EN 50173-1:2009/A1	IEC -60603-7-51:2010
ISO/IEC 11801:2011 (Ed 2.2)	

PRODUCT DIMENSIONS



CONSTRUCTION

Description	Parameter
Contact resistance(max)	20mΩ
Insulation resistance(min)	500MΩ
Return loss(dB)	3.3dB

ORDERING

Part No.	Description
14C8AS31X	Category 8, shielded Keystone Jack RJ-45, 180 deg, Dual IDC

* X = Metal - 0, Blue - 1, Grey - 2, Red - 3, Yellow - 4, White - 5, Purple - 6, Orange - 7, Green - 8, Black - 9